

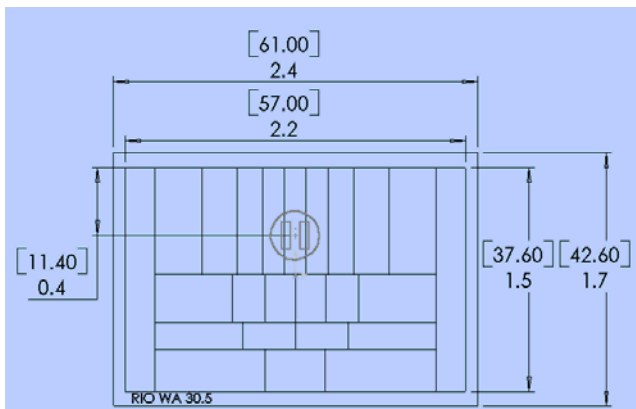
WA-30.5

Uniform Sensitivity PIR Lens

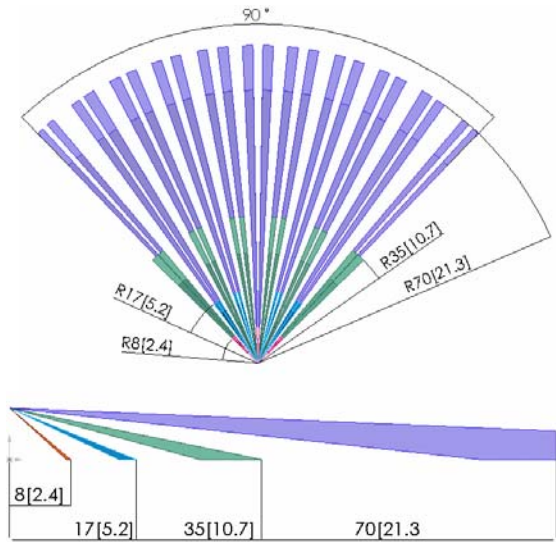
The WA-30.5 is a Fresnel lens array that is designed for Passive Infrared (PIR) sensor applications. This lens can be used in applications involving security, lighting controls, and environmental controls. The lens is designed for uniform sensitivity, which means that each zone has approximately the same sensitivity as the others, and the total electronic gain of the sensor can be minimized. It features a 90 degree field of view and a short focal length that makes it well suited for compact, low profile sensors.



WA-30.5 Fresnel Lens Array



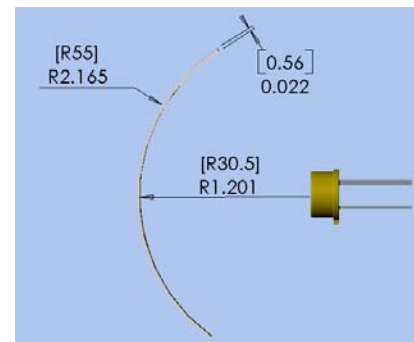
Dimension Schematic WA-30.5 Lens Array
Dimensions: in [mm]



Protection Pattern WA-30.5
Dimensions: ft. [m]

Specifications:

- Reflexite Part #IO8905
- Range: 70 ft (m).
- Field of View: 90°.
- Installation Height: 8-10 ft. (2.4- 3 m).
- Focal Length: 30.5 mm
- Material: HDPE.
- Colors: White, Grey, and Natural.
- Optimized for dual element pyroelectric devices.
- Uniform sensitivity for improved sensor efficiency.
- White light immunity to reduce false triggers.
- UV resistant for outdoor applications.



Recommended Installation

Dimensions: in [mm]