

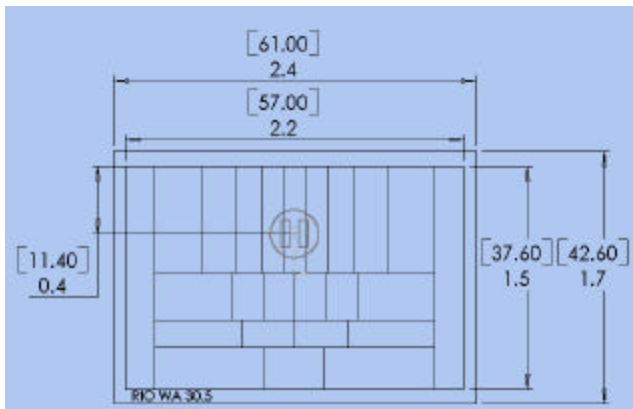
## WA-30.5

### Uniform Sensitivity PIR Lens

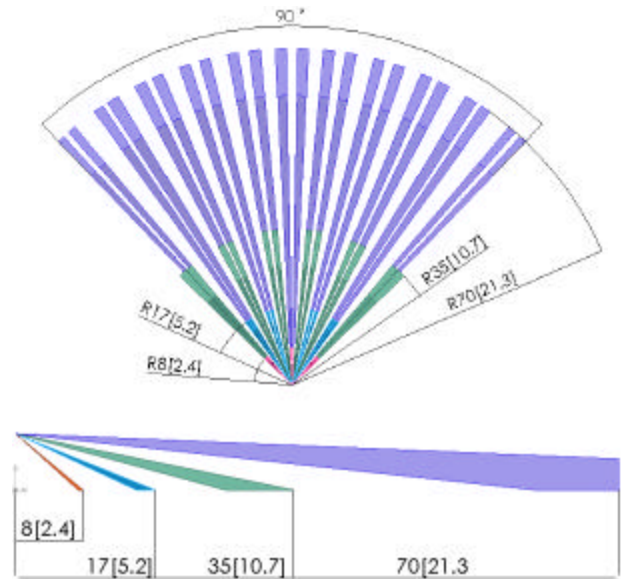
The WA-30.5 is a Fresnel lens array that is designed for Passive Infrared (PIR) sensor applications. This lens can be used in applications involving security, lighting controls, and environmental controls. The lens is designed for uniform sensitivity, which means that each zone has approximately the same sensitivity as the others, and the total electronic gain of the sensor can be minimized. It features a 90 degree field of view and a short focal length that makes it well suited for compact, low profile sensors.



WA-30.5 Fresnel Lens Array



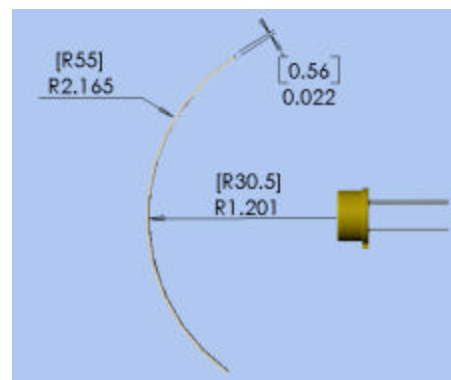
Dimension Schematic WA -30.5 Lens Array  
Dimensions: in [mm]



Protection Pattern WA -30.5  
Dimensions: ft. [m]

### Specifications:

- Range: 70 ft (m).
- Field of View: 90°.
- Installation Height: 7-10 ft. (2.1- 3 m).
- Focal Length: 30.5 mm
- Material: HDPE.
- Colors: White, Grey, and Natural.
- Optimized for dual element pyroelectric devices.
- Uniform sensitivity for improved sensor efficiency.
- White light immunity to reduce false triggers.
- UV resistant for outdoor applications.



Recommended Installation  
Dimensions: in [mm]

### Reflexite Instrumentation Optics

3353 Bradshaw Road, Suite 126  
Sacramento, CA 95827 USA  
916-368-9283, fax 916-368-4553