

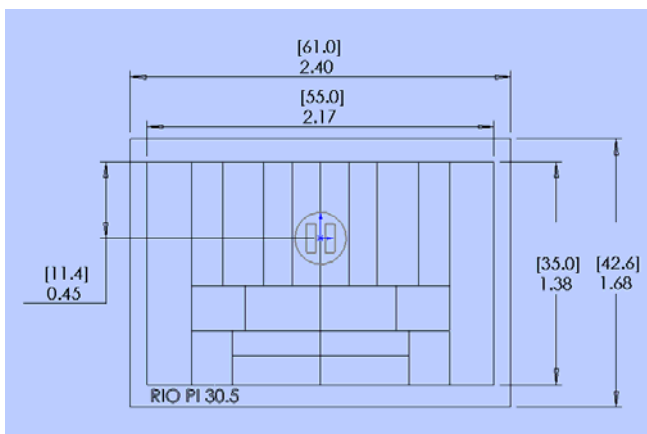
PI-30.5

PIR Lens with Small Animal Immunity

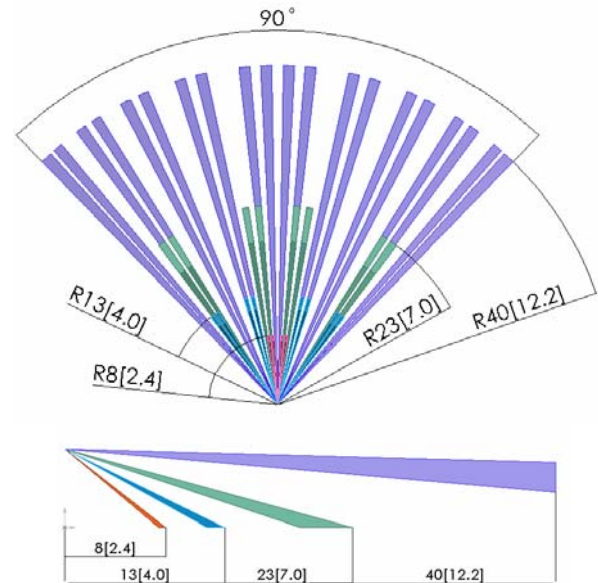
The WA-30.5 is a Fresnel lens array that is designed for Passive Infrared (PIR) sensor applications where the sensor is required to have some immunity to pets and other small animals. This lens enhances immunity to small animals by using a uniform sensitivity design and by placing the long-range zones above floor level. It features a 90-degree field of view and a range of 40 ft. (12 m).



PI30.5 Fresnel Lens Array



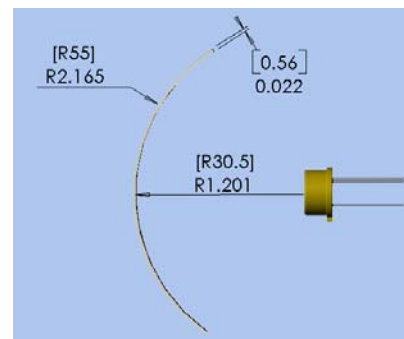
Dimension Schematic PI-30.5 Lens Array
Dimensions: in [mm]



Protection Pattern PI-30.5
Dimensions: ft. [m]

Specifications:

- Reflexite Part #IO8902
- Range: 40 ft (12.2 m).
- Field of View: 90°.
- Installation Height: 7-8 ft. (2.1- 2.4 m).
- Focal Length: 30.5 mm
- Material: HDPE.
- Colors: White, Grey, and Natural.
- Optimized for dual element pyroelectric devices.
- Uniform sensitivity for improved sensor efficiency.
- White light immunity to reduce false triggers.
- UV resistant for outdoor applications.



Recommended Installation
Dimensions: in [mm]