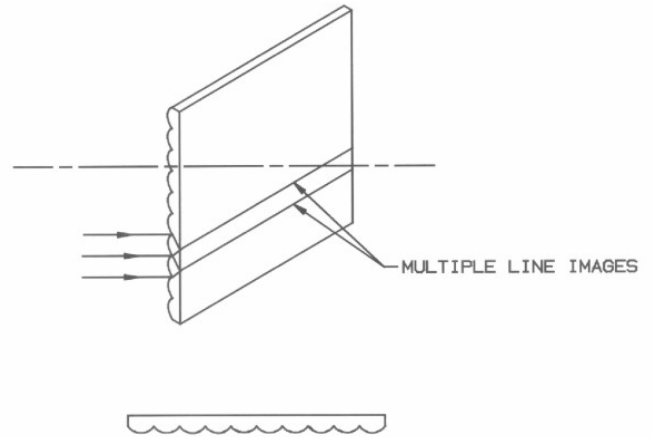
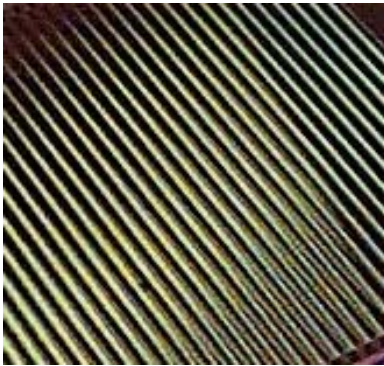


## Lenticulars

Lenticulars, also known as linear lens arrays or cylindrical lens arrays, have linear structures, where every groove is the same and each groove has a small radius of curvature, thus creating multiple line images. These components can also be used as diffuse or spread light in a single direction.



### Designs Currently Available for Manufacture

Part Number	Radius of Curvature	Facet Spacing	Clear Aperture	Lens Length
LN653	0.025	0.580	184 x 184	184
LN611	0.157	0.178	100 x 100	100
LN615	0.380	0.763	89 Ø	N.A.
LN629	0.483	0.381	114 x 114	114
LN663	0.544	0.508	400 x 500	500
LN692	0.762	0.162	178 x 229	178
LN636	0.762	0.186	260 x 260	260
LN669	0.762	0.368	260 x 260	260
LN684	1.000	0.400	279 x 279	279
LN618	1.720	0.162	139 x 222	222
LN665	3.175	2.794	120 x 175	175

#### Notes:

1. All dimensions in millimeters (mm)
2. To determine number of lines per mm, use 1/facet spacing
3. Minimum order 25 parts per design
4. Custom designs available
5. Other designs may be available, please call for further information