

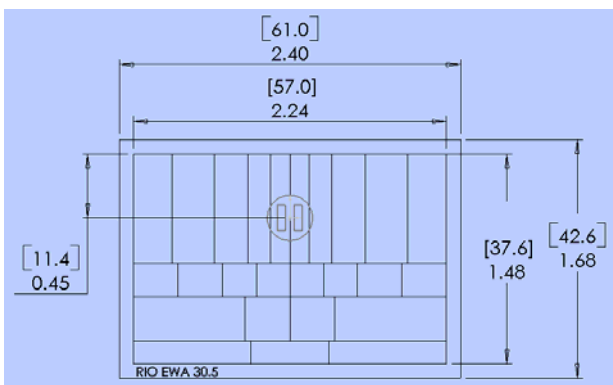
## EWA-30.5

### Extra Wide, Uniform Sensitivity PIR Lens

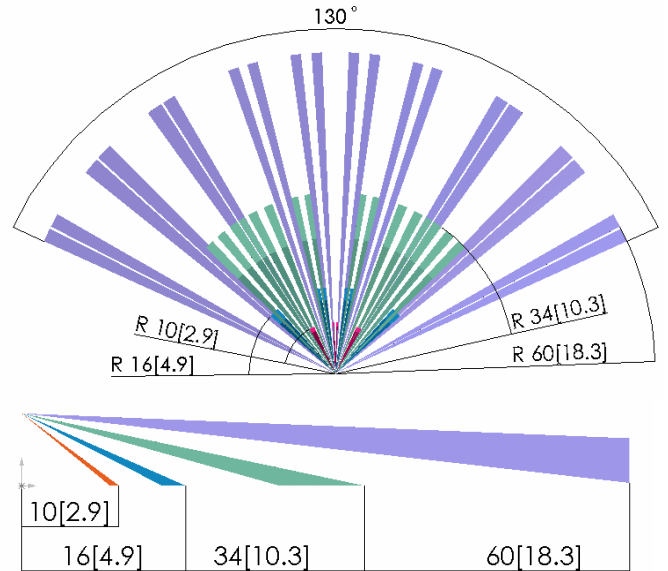
The EWA-30.5 is a Fresnel lens array that is designed for Passive Infrared (PIR) sensor applications. This lens can be used in applications involving security, lighting controls, and environmental controls where an extra wide detection pattern is required. The lens is designed for uniform sensitivity, which means that each zone has approximately the same sensitivity as the others, and the total electronic gain of the sensor can be minimized. It features a 130-degree field of view and a short focal length that makes it well suited for compact, low profile sensors.



EWA-30.5 Fresnel Lens Array



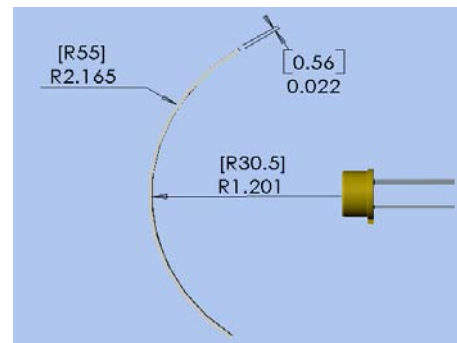
Dimension Schematic EWA-30.5 Lens Array  
Dimensions: in [mm]



Protection Pattern EWA-30.5  
Dimensions in ft. (m)

### Specifications:

- Reflexite Part #IO8907
- Range: 60 ft. (18 m).
- Field of View: 130°.
- Installation Height: 7-10 ft. (2.1- 3 m).
- Focal Length: 30.5 mm
- Material: HDPE.
- Extra wide protection pattern.
- Colors: White, Grey, and Natural.
- Optimized for dual element pyroelectric devices.
- Uniform sensitivity for improved sensor efficiency.
- White light immunity to reduce false triggers.
- UV resistant for outdoor applications.



Recommended Installation  
Dimensions: in [mm]