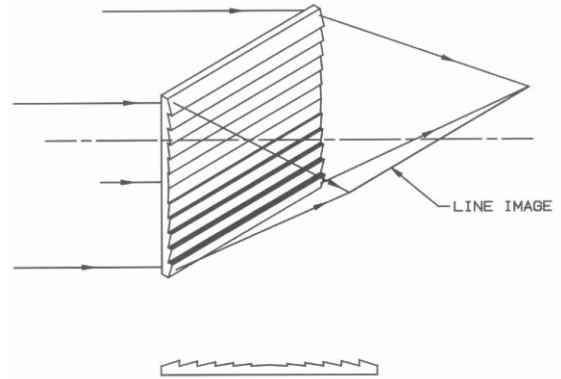


## Cylinders

A Fresnel Cylindrical Lens, also referred to as a linear Fresnel Lens, has a linear structure, which can be used to collimate a row of light sources (such as LEDs) or it can be used to focus light in one direction only, resulting in a line image.



### Designs Currently Available for Manufacture

Part Number	Focal Length	Facet Spacing	Fresnel Conjugate	Plano Conjugate	Clear Aperture
CY575	12.7	0.127	12.7	Infinity	12.0 x 304.8
CY585	38.1	0.254	Infinity	38.1	38.1 x 203.2
CY581	76.2	0.254	Infinity	76.2	71.7 x 368.3
CY570	138.0	0.254	390.5	211.7	116.0 x 142.0

#### Notes:

1. All dimensions in millimeters (mm)
2. To determine number of lines per mm, use 1/facet spacing
3. Minimum order 25 parts per design
4. Custom designs available

